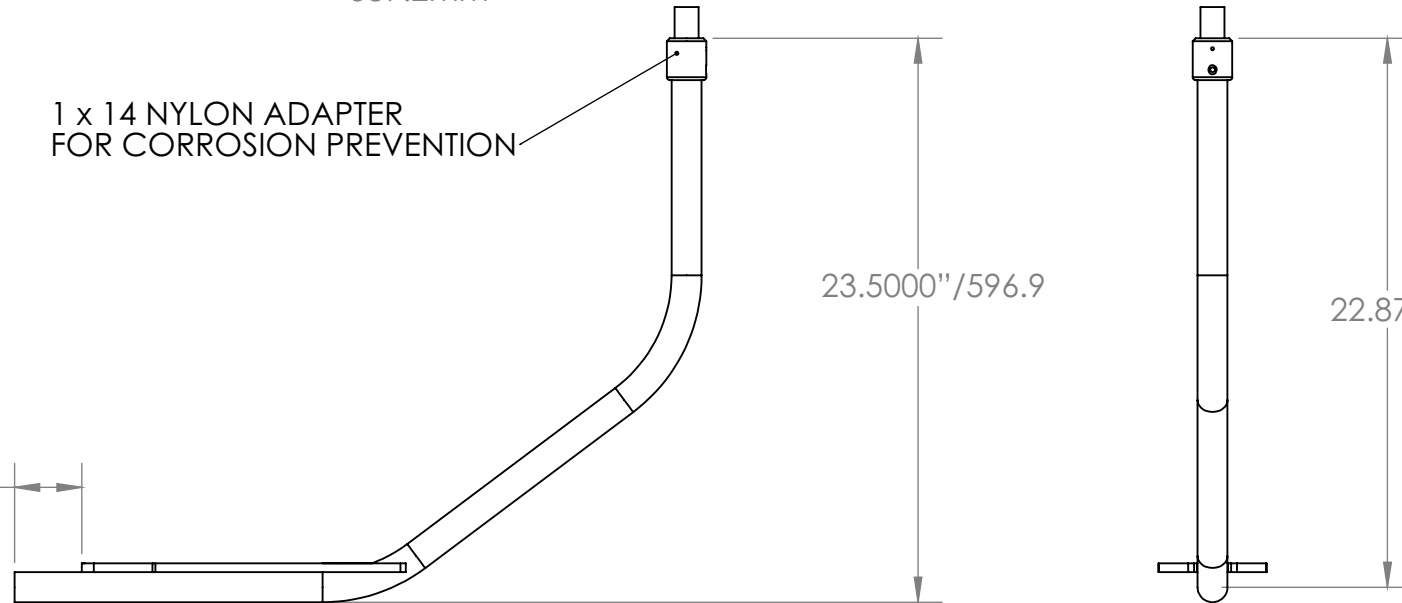


1 x 14 NYLON ADAPTER
FOR CORROSION PREVENTION

$23.5000''/596.9$

$22.8750''/581\text{mm}$

$2.8029''$
 71.2mm



UNLESS OTHERWISE SPECIFIED:		NAME	DATE	PYI, INC.
DIMENSIONS ARE IN INCHES/mm	DRAWN	JR	02.07.08	
TOLERANCES:	CHECKED			TITLE:
FRACTIONAL \pm	ENG APPR.			LIGHT BAR FOR 3.5' - 4' OPEN
ANGULAR: MACH \pm BEND \pm	MFG APPR.			ARRAY ANTENNAS
TWO PLACE DECIMAL \pm	Q.A.			
THREE PLACE DECIMAL \pm	PROPRIETARY AND CONFIDENTIAL			
INTERPRET GEOMETRIC TOLERANCING PER:	THE INFORMATION CONTAINED IN THIS DRAWING IS THE SOLE PROPERTY OF PYI, INC. REPRODUCTION IN PART OR AS A WHOLE WITHOUT THE WRITTEN PERMISSION OF PYI, INC.			SIZE
MATERIAL	DWG. NO.		REV	N/C
FINISH	A LTB-OA (for web)			
DO NOT SCALE DRAWING	SCALE: 1:8		WEIGHT:	SHEET 1 OF 2

5

4

3

2

1