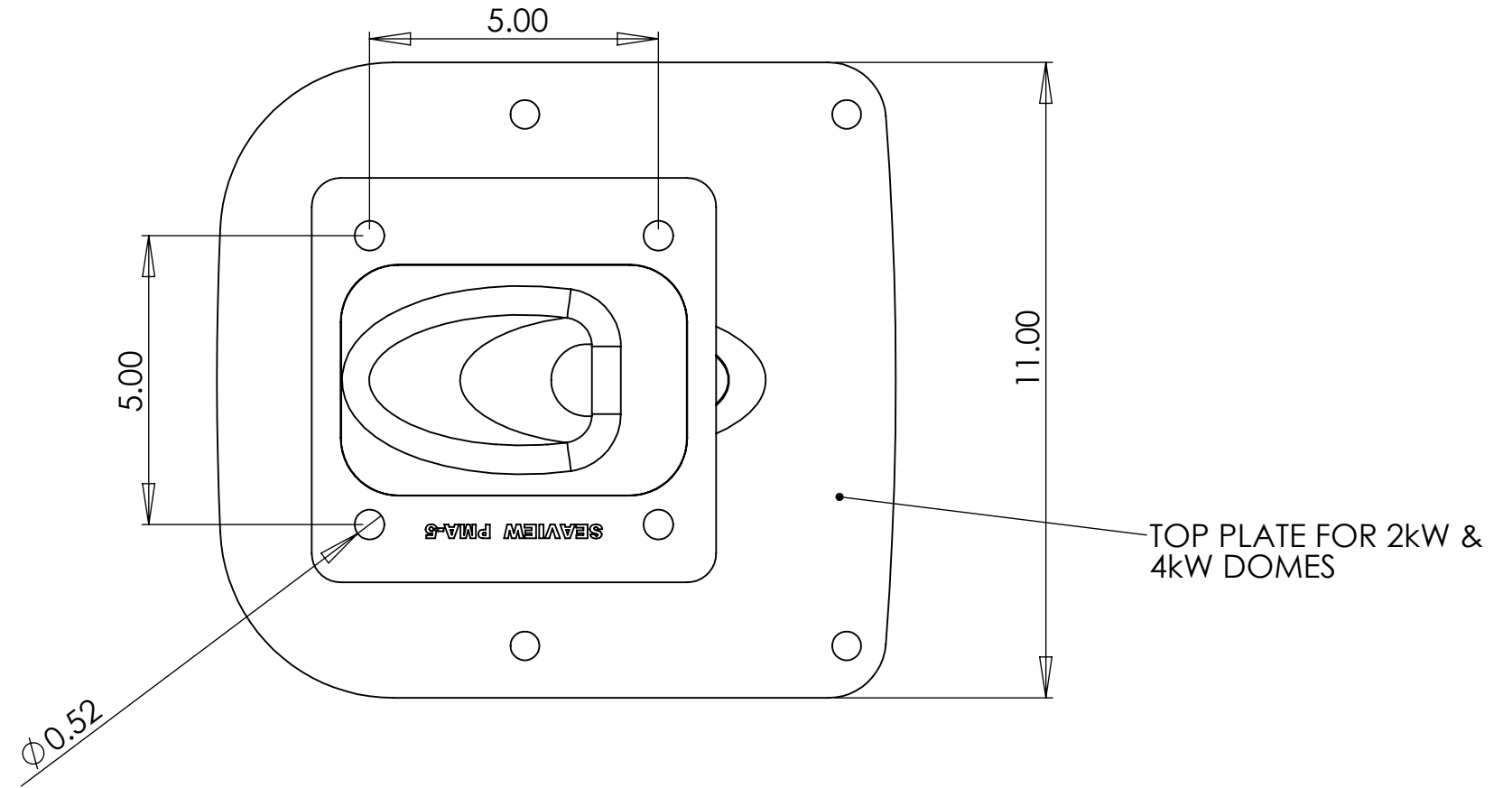
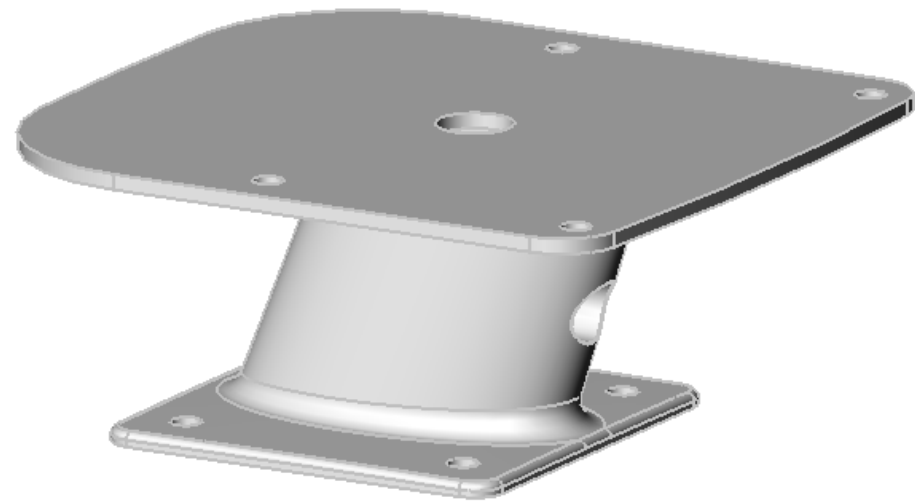


8 7 6 5 4 3 2 1

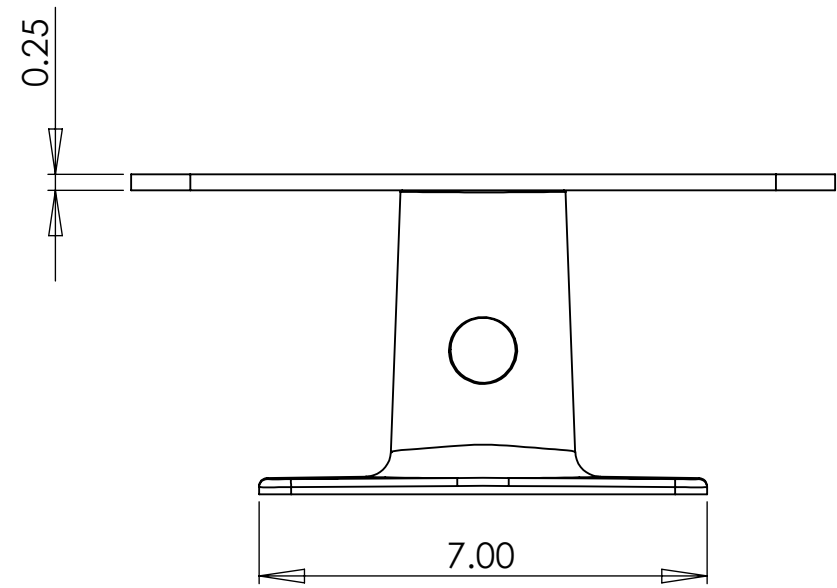
D

D



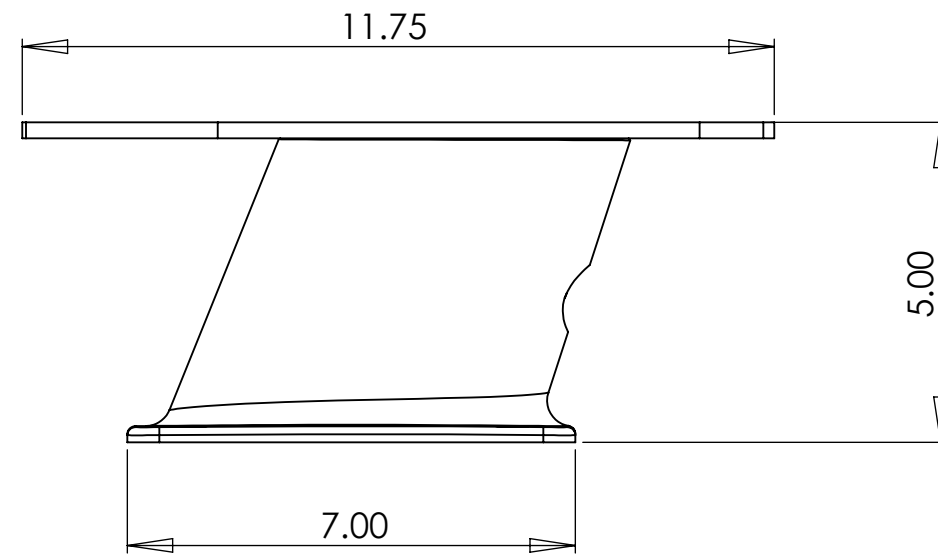
C

C



B

B



A

A

PROPRIETARY AND CONFIDENTIAL
 THE INFORMATION CONTAINED IN THIS DRAWING IS THE SOLE PROPERTY OF PYI, INC. ANY REPRODUCTION IN PART OR AS A WHOLE WITHOUT THE WRITTEN PERMISSION OF PYI, INC. IS PROHIBITED.

		UNLESS OTHERWISE SPECIFIED:		NAME	DATE
		DIMENSIONS ARE IN INCHES		DRAWN	JR 10.03.07
		TOLERANCES:		CHECKED	
		FRACTIONAL ±		ENG APPR.	
		ANGULAR: MACH ± BEND ±		MFG APPR.	
		TWO PLACE DECIMAL ±		Q.A.	
		THREE PLACE DECIMAL ±		COMMENTS:	
		INTERPRET GEOMETRIC TOLERANCING PER:			
		MATERIAL			
		FINISH			
NEXT ASSY	USED ON				
WEIGHT:	SHEET 1 OF 1	DO NOT SCALE DRAWING			

PYI, INC. Beverly Park Rd
 Lynnwood, WA 98087
 Ph. 425-355-3669 Fax. 425-355-3661

TITLE:
5" AFT PWR MNT PLUS FOR GARMIN

SIZE DWG. NO. REV
B PMA-5G-7L

SCALE: 1:3 WEIGHT: SHEET 1 OF 1

8 5 7 4 6 3 5 2 4 1 3 2 1