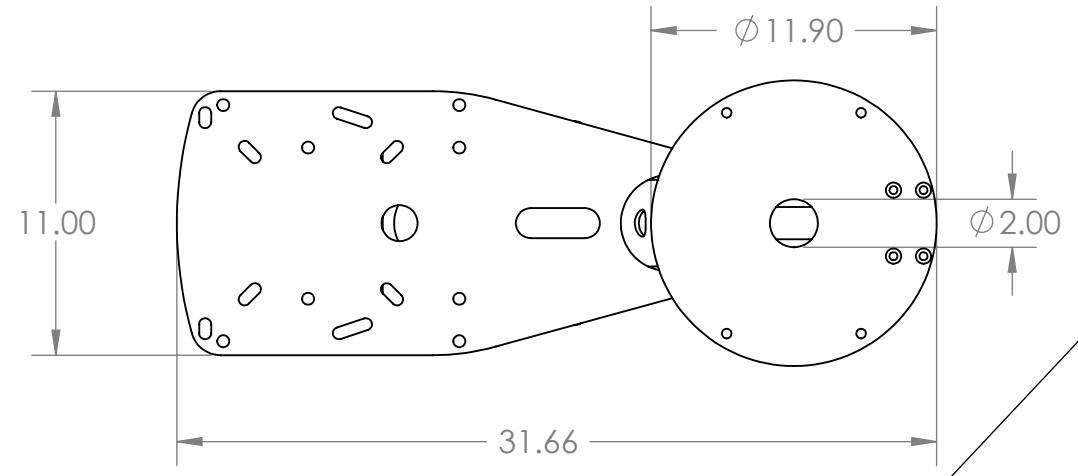


8 7 6 5 4 3 2 1

D

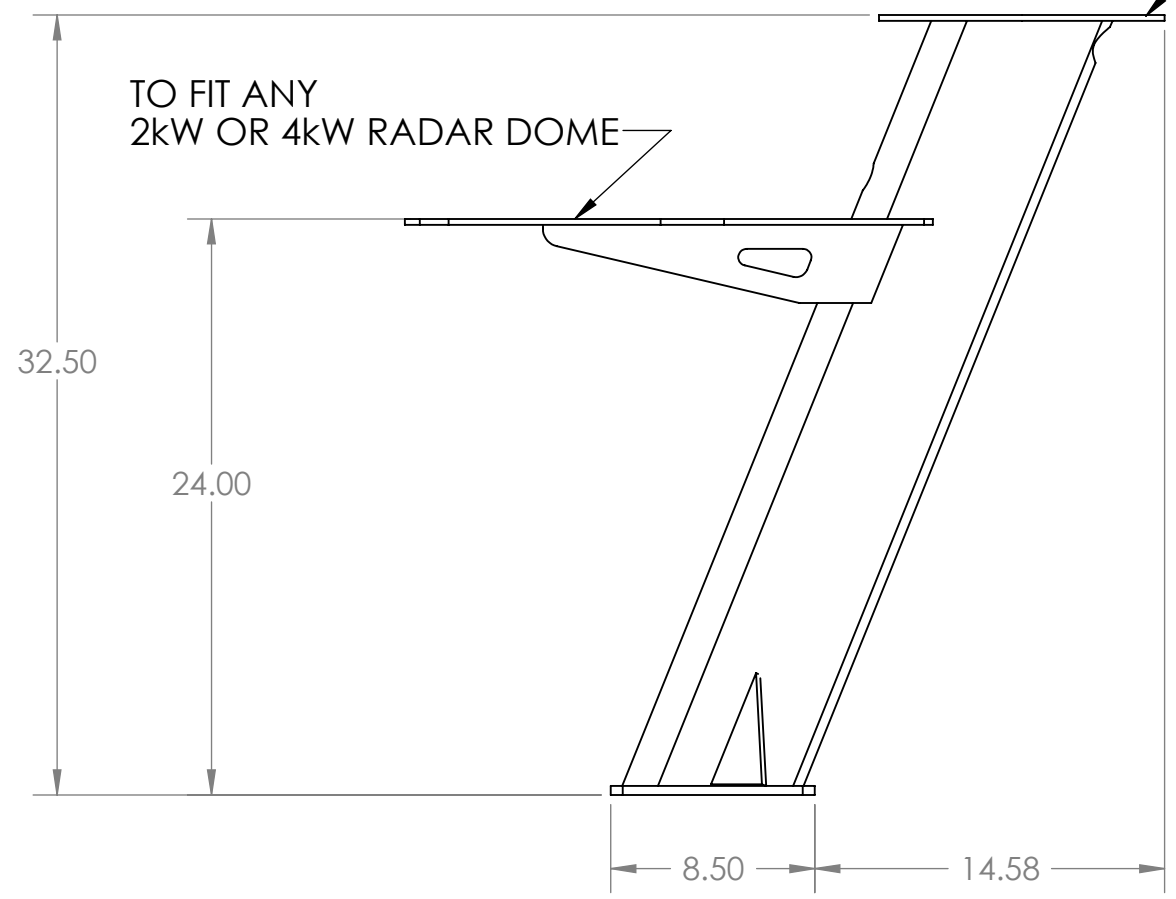
D



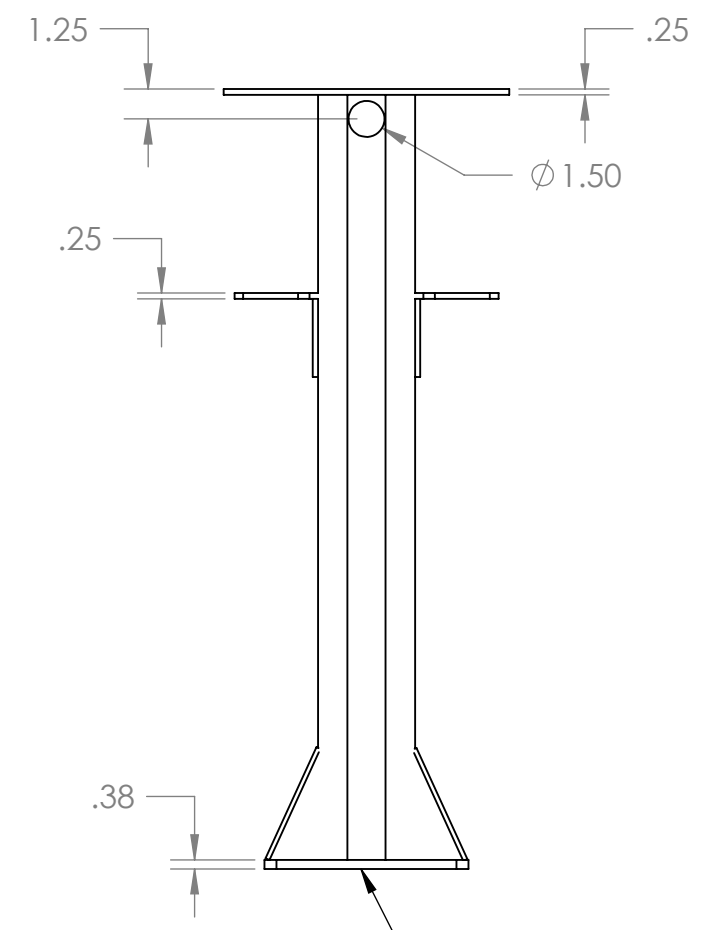
TO FIT  
KVHM2,M3 / SEATEL COSTAL 14 /  
SEAKING 9815JR OR 1500 HD /  
RAYMARINE 375TV / INTELLIAN I3

C

C



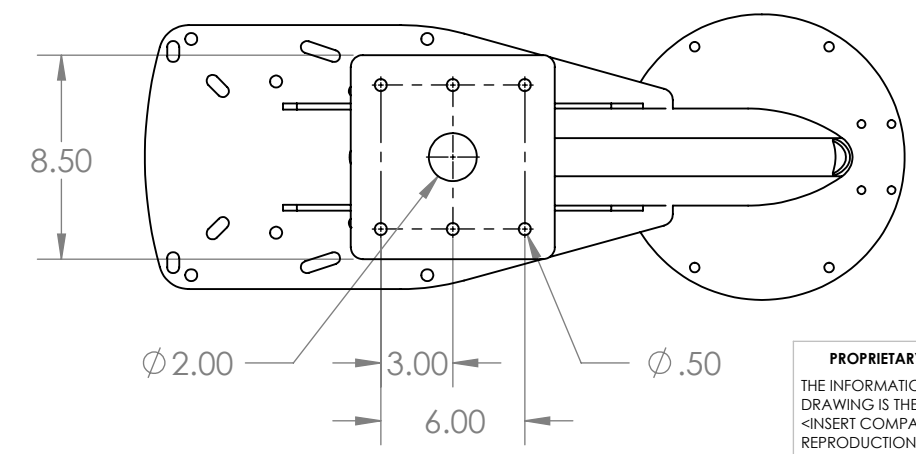
TO FIT ANY  
2kW OR 4kW RADAR DOME



MUST USE BACKING PLATE  
OR OVERSIZED WASHERS

B

B



A

A

**PROPRIETARY AND CONFIDENTIAL**  
THE INFORMATION CONTAINED IN THIS  
DRAWING IS THE SOLE PROPERTY OF  
<INSERT COMPANY NAME HERE>. ANY  
REPRODUCTION IN PART OR AS A WHOLE  
WITHOUT THE WRITTEN PERMISSION OF  
<INSERT COMPANY NAME HERE> IS  
PROHIBITED.

		UNLESS OTHERWISE SPECIFIED:		NAME	DATE	<b>PYI, INC.</b>	
		DIMENSIONS ARE IN INCHES TOLERANCES: FRACTIONAL ± ANGULAR: MACH ± BEND ± TWO PLACE DECIMAL ± THREE PLACE DECIMAL ±		DRAWN	J.BLACK		
		INTERPRET GEOMETRIC TOLERANCING PER:		CHECKED			TITLE:
		MATERIAL		ENG APPR.			
		FINISH		MFG APPR.			
NEXT ASSY	USED ON	DO NOT SCALE DRAWING		Q.A.			SIZE
APPLICATION				COMMENTS:			DWG. NO.
							PMA-DM1-M Mast Only
							REV
							SCALE: 1:8
							WEIGHT:
							SHEET 1 OF 1

8 7 6 5 4 3 2 1