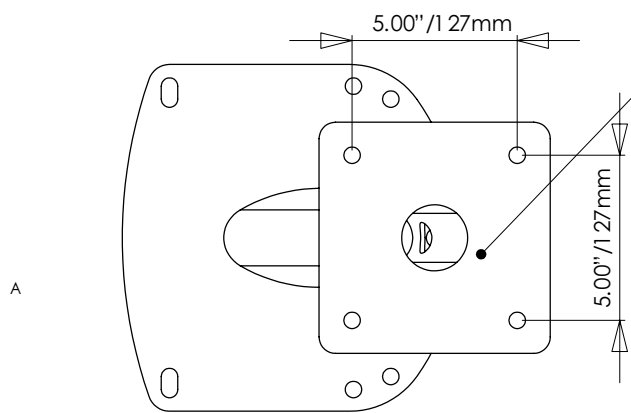
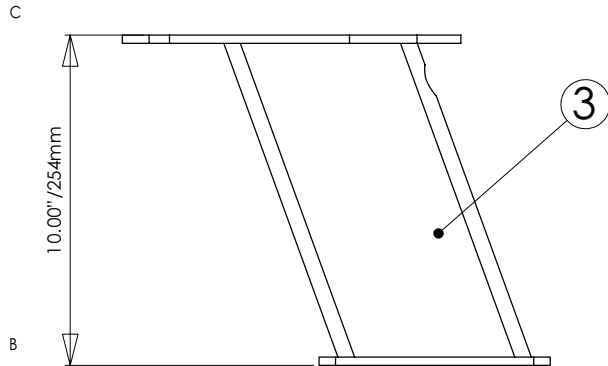
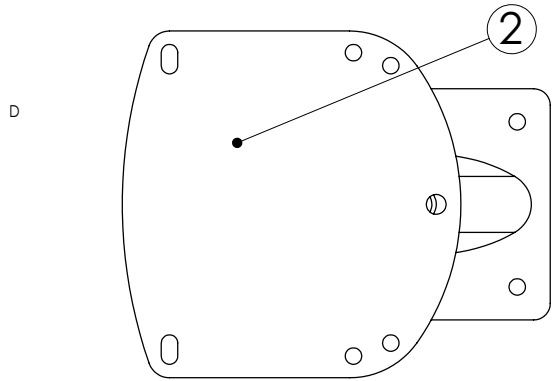
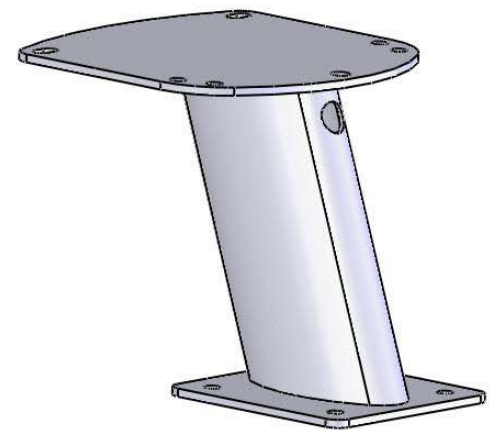


8 7 6 5 4 3 2 1



1 Base Plate = 7"x7" / 177.8mm x 177.8mm

ITEM NO.	PART NUMBER	DESCRIPTION	QTY.
1	PM7 Base Plate 2.1	1 / 4" / 6.35mm Base Plate	1
2	PM Radar Plate 1.1	1 / 4" / 6.35mm top plate	1
3	PM Extrusion 3.2	1 0" / 254mm FWD Extr.	1



PROPRIETARY AND CONFIDENTIAL
 THE INFORMATION CONTAINED IN THIS DRAWING IS THE SOLE PROPERTY OF PYI, INC. ANY REPRODUCTION IN PART OR AS A WHOLE WITHOUT THE WRITTEN PERMISSION OF PYI, INC. IS PROHIBITED.

		UNLESS OTHERWISE SPECIFIED:		NAME	DATE
		DIMENSIONS ARE IN INCHES		DRAWN	J.A. 05.20.08
		TOLERANCES:		CHECKED	
		FRACTIONAL ±		ENG APPR.	
		ANGULAR: MACH ± BEND ±		MFG APPR.	
		TWO PLACE DECIMAL ±		Q.A.	
		THREE PLACE DECIMAL ±		COMMENTS:	
		INTERPRET GEOMETRIC TOLERANCING PER:			
		MATERIAL			
		FINISH			
NEXT ASSY	USED ON				
APPLICATION		DO NOT SCALE DRAWING			

PYI, INC. 12532 Beverly Park Rd.
Lynnwood, WA 98087

TITLE:
FWD. PMT for 2KW and 4KW Raymarine Radomes

SIZE	DWG. NO.	REV
B	PMF-1 OR-7	

SCALE: 1:4 WEIGHT: SHEET 1 OF 1

8 7 6 5 4 3 2 1