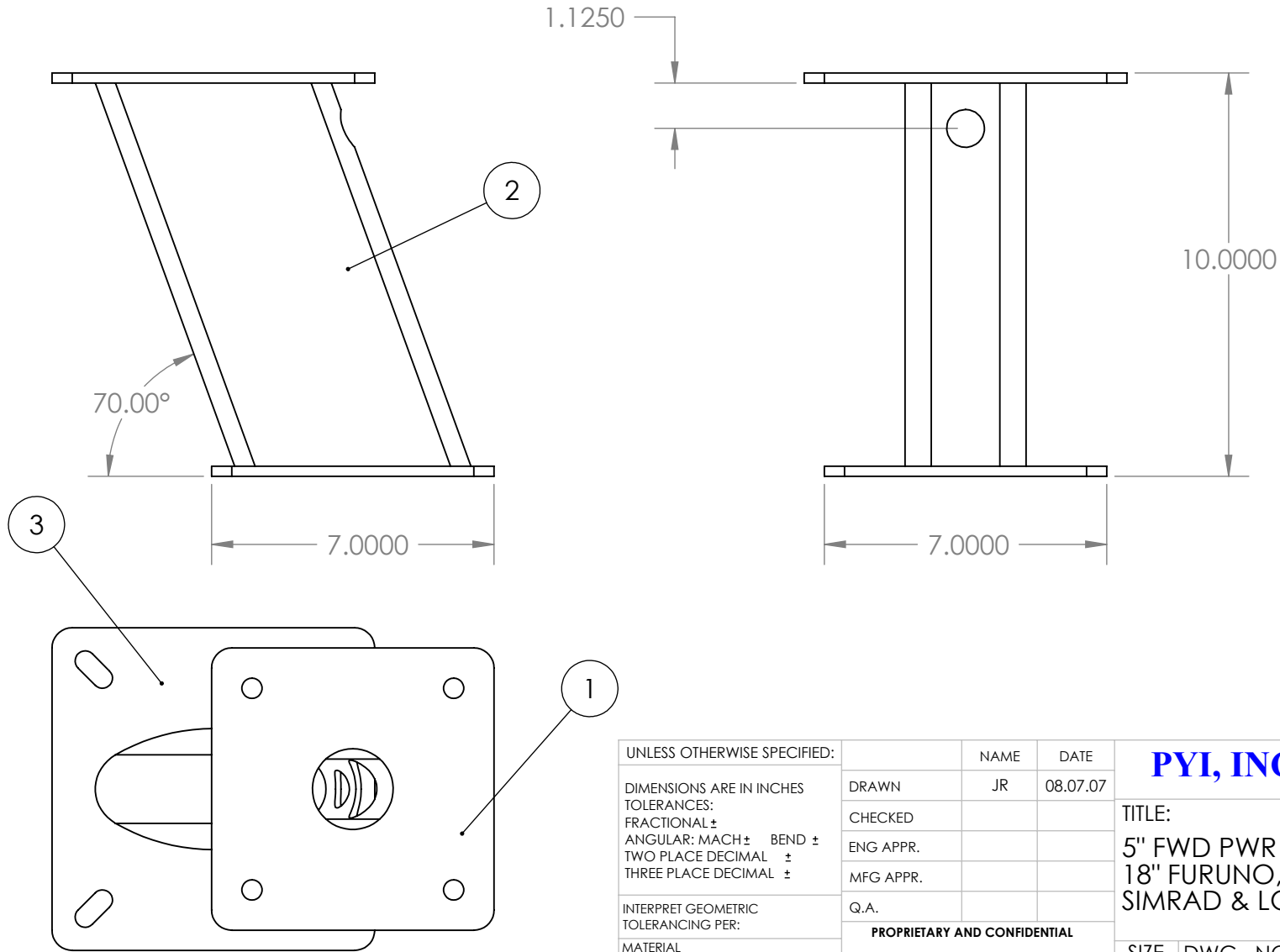


ITEM NO.	PART NUMBER	DESCRIPTION	QTY.
1	PM7 Base Plate 2.1	7" x 7" x 1/4" Base Plate	1
2	PM Extrusion 4.2	10" FWD Extrusion with LTB	1
3	PM Radar Plate 3.1	1/4" TOP PLATE (U)	1



UNLESS OTHERWISE SPECIFIED:		NAME	DATE	PYI, INC.
DIMENSIONS ARE IN INCHES TOLERANCES: FRACTIONAL ± ANGULAR: MACH ± BEND ± TWO PLACE DECIMAL ± THREE PLACE DECIMAL ±		DRAWN	JR 08.07.07	
INTERPRET GEOMETRIC TOLERANCING PER:		CHECKED		5" FWD PWR MNT PLUS TO FIT 15-18" FURUNO, KODEN, JRC/N.STAR, SIMRAD & LOWRANCE
MATERIAL		ENG APPR.		
FINISH		MFG APPR.		SIZE DWG. NO. REV
DO NOT SCALE DRAWING		Q.A.		A PMF-10U-7
		PROPRIETARY AND CONFIDENTIAL		SCALE: 1:4 WEIGHT: SHEET 1 OF 1
		THE INFORMATION CONTAINED IN THIS DRAWING IS THE SOLE PROPERTY OF PYI, INC. ANY REPRODUCTION IN PART OR AS A WHOLE WITHOUT THE WRITTEN PERMISSION OF PYI, INC IS PROHIBITED.		