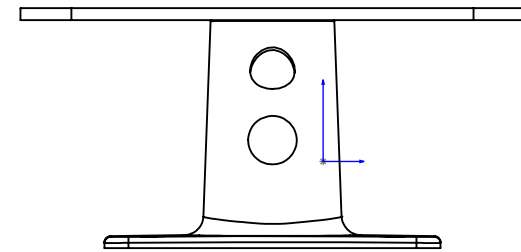
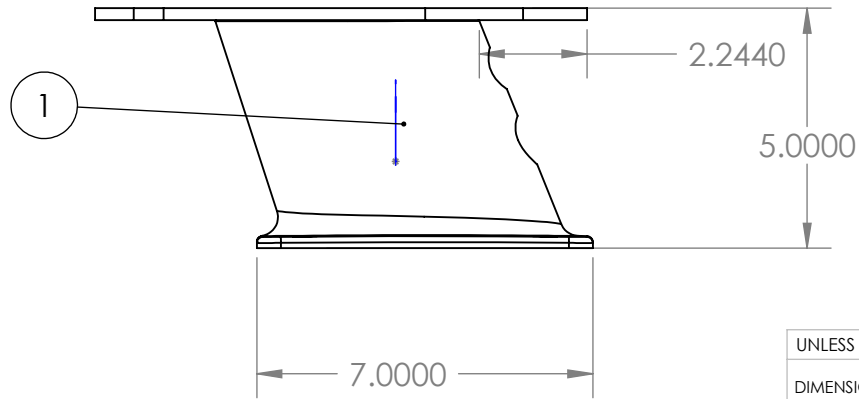
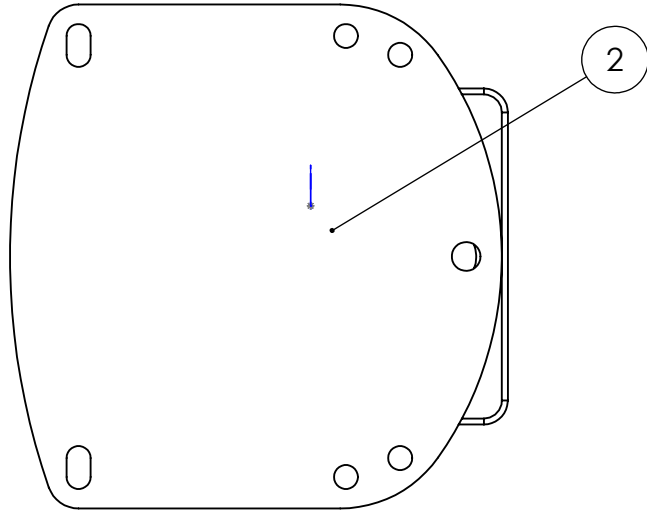


ITEM NO.	PART NUMBER	DESCRIPTION	QTY.
1	Cast PMF-5	DIE CAST 5" FWD Itb version	1
2	PM Radar Plate 1.1	1/4" top plate	1



UNLESS OTHERWISE SPECIFIED:		NAME	DATE	<b>PYI, INC.</b>
DIMENSIONS ARE IN INCHES		DRAWN	JR	
TOLERANCES:		CHECKED		TITLE: 5" FWD PWR MNT PLUS TO FIT KODEN SERIES, RAYMARINE & SIMRAD 4kW DOMES
FRACTIONAL ±		ENG APPR.		
ANGULAR: MACH ± BEND ±		MFG APPR.		
TWO PLACE DECIMAL ±		Q.A.		SIZE DWG. NO. REV <b>A</b> PMF-5R-7L
THREE PLACE DECIMAL ±		<b>PROPRIETARY AND CONFIDENTIAL</b>		
INTERPRET GEOMETRIC TOLERANCING PER:		THE INFORMATION CONTAINED IN THIS DRAWING IS THE SOLE PROPERTY OF PYI, INC. ANY REPRODUCTION IN PART OR AS A WHOLE WITHOUT THE WRITTEN PERMISSION OF PYI, INC IS PROHIBITED.		SCALE: 1:4 WEIGHT: SHEET 1 OF 1
MATERIAL		DO NOT SCALE DRAWING		
FINISH				